

Rocker Panel Molding Ground Lamp Package Installation (Instruction ID: 84973641)

Installation Instructions Part Number

84973641

Note: Only model year 2024 and beyond are designed for this accessory installation.

Note: After completing installation, image tuning is required for optimum and clarity as final step.

Kit Contents

QTY	Description
2	Rocker Moulding Ground Lamp
1	Installation Instructions

Special Tools Required

Terminal Pick Tool J-38125-36

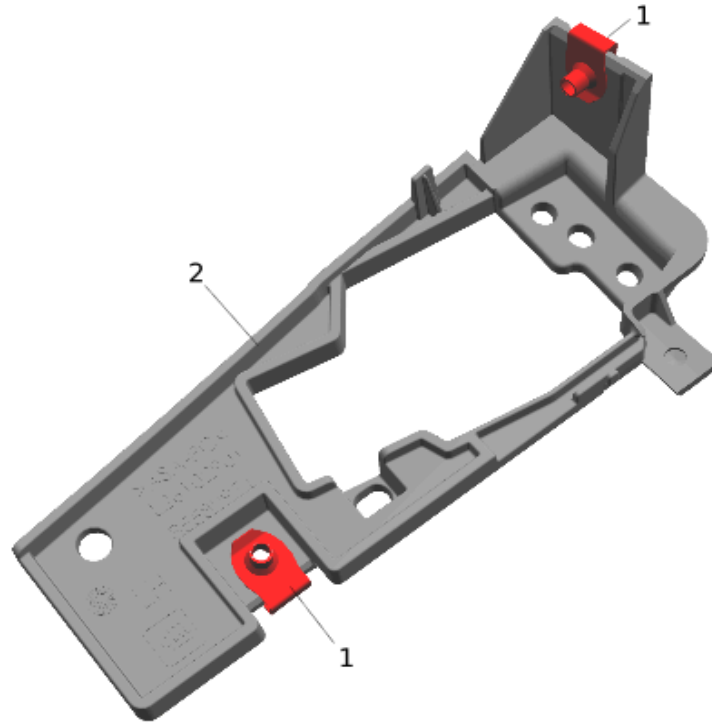
Terminal Pick Tool J-38125-553

Procedure

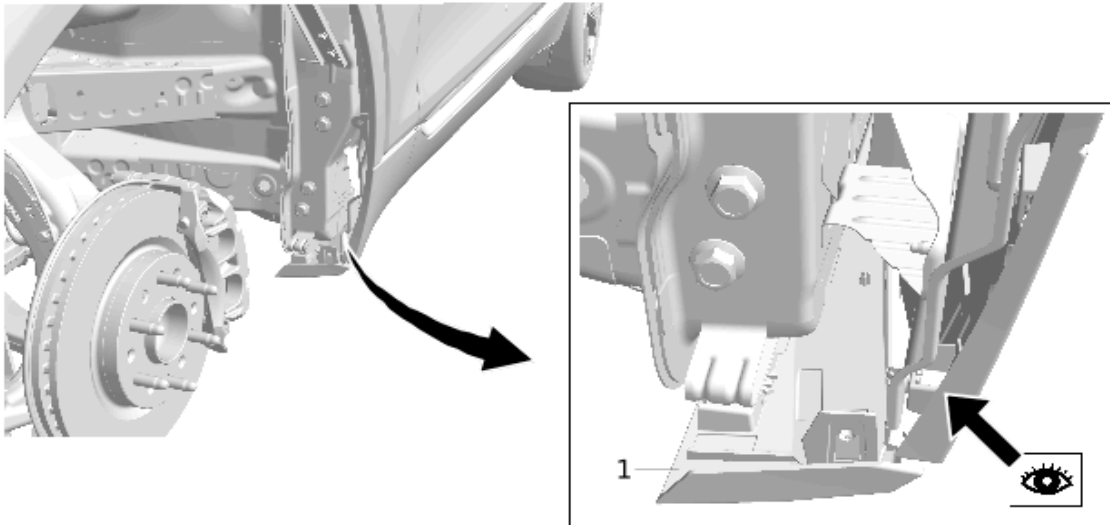
Note: Left side lamp installation is shown in the following steps. Right side similar. Marking on the brackets indicate "LH" or "RH".

Warning: Always ensure the Battery Maintenance Mode is inactive before disconnecting the low voltage 12 volt battery (or batteries). This mode can be active with the ignition off, regardless of whether the vehicle charging cord is plugged in or not. When this mode is active, the on-board high voltage battery charger(s) will energize the 12 volt battery cables and charge the 12 volt battery (or batteries). Disconnecting any battery cables while this mode is active may result in an electrical shock or a burn from hot battery cable leads.

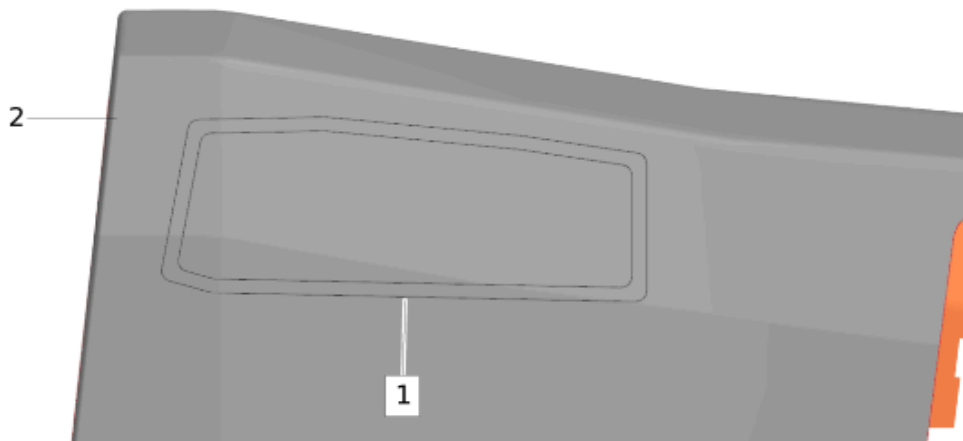
1. Check the 12 volt battery voltage with a digital multimeter before disconnecting any battery cables leads. If the voltage is 13.5 volts or above, the Battery Maintenance Mode is active. The technician must wait for the T18 battery charger to deactivate before disconnecting the battery negative cable. Refer to [Charging System Description and Operation](#) in Vehicle Service Manual.
2. Disconnect the 12 volt negative battery cable. Refer to [Battery Negative Cable Disconnection and Connection](#) in Vehicle Service Manual.
3. Remove the left and right front wheelhouse liners. Refer to [Front Wheelhouse Liner Replacement](#) in Vehicle Service Manual.



4. Install the provided U-Nuts (1) to the lamp bracket (2).



5. Inspect inside the front rocker area for dirt, debris, water, etc. Clean the area in preparation for the next step.



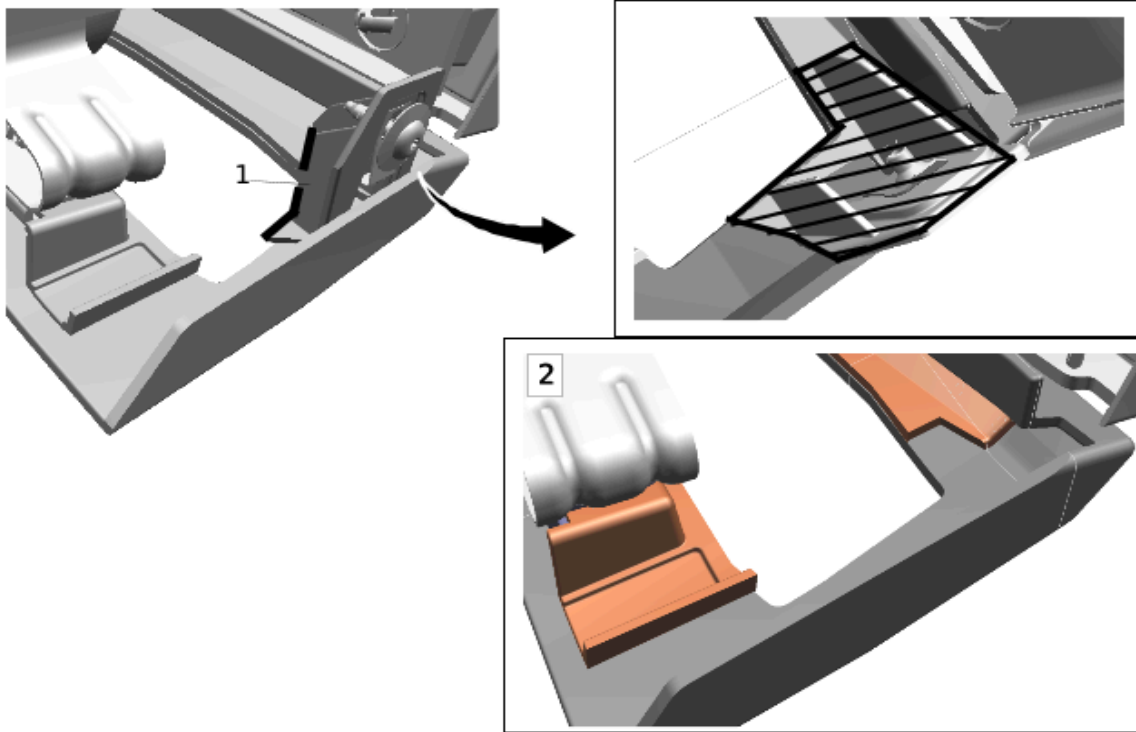
Note: Drilling 5mm holes to the inside corners prior to cutting will aid in cutting and keeping the corners round.

6. Observe the two scribe lines (1) in the underneath front section of the rocker molding behind the front wheel house. Ensure existing double scribe lines on both driver and passenger side before proceeding to next step.
7. On the rocker molding, outline the **OUTER** scribe line with a grease pencil or paint pen.

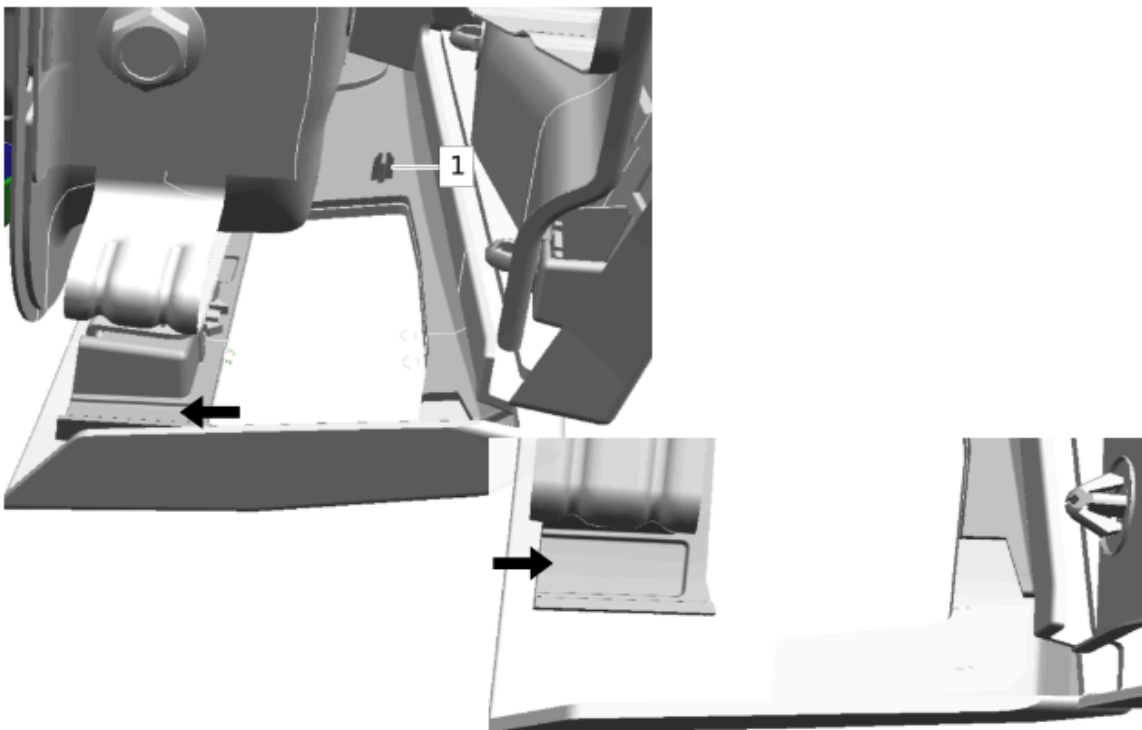
Caution: Depth of cut should not exceed 9mm as it may damage rocker clips.

Note: Cutting the rocker molding will require cutting through two layers, rocker outer trim plus rocker inner trim totalling an approximate thickness of 7mm.

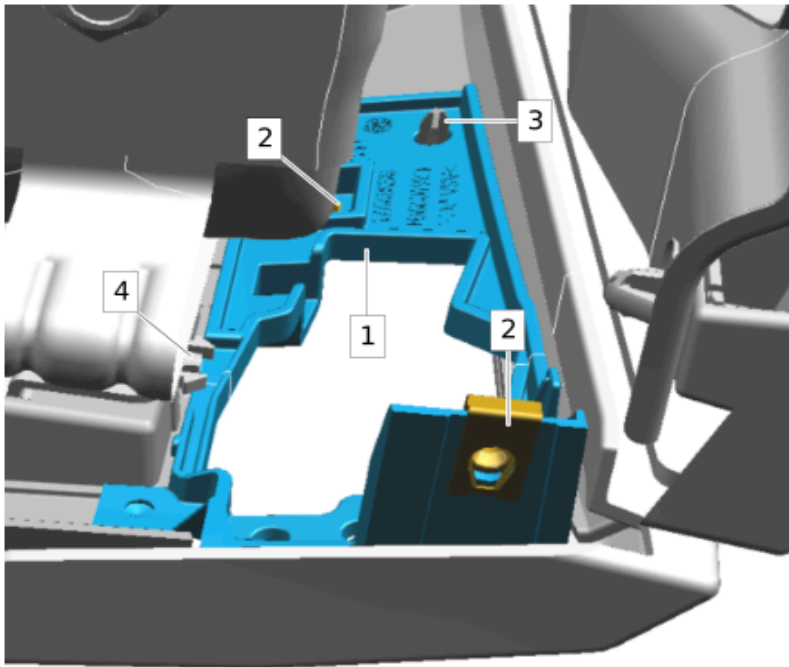
8. Using a 7/8" (20mm) Dremel tool or pneumatic reciprocating saw, cut opening along the marked outer scribe line as close as possible (No more than 1mm outside the line). Adjust the cutting speed to avoid melting the plastic along the cutting edges. Burrs must be removed before continuing to next step.



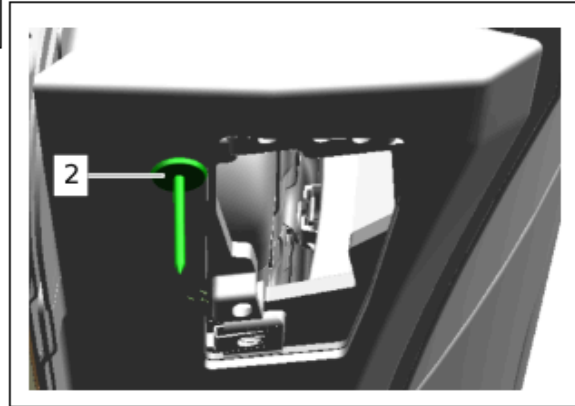
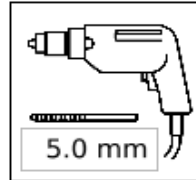
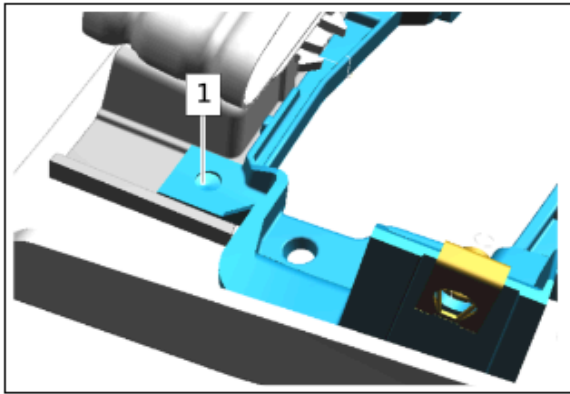
- 9. Carefully cut and remove the existing U-Nut and plastic bracket section (1) from the rocker molding.
- 10. The prepared rocker molding should look as shown (2).



11. Locate the cross feature locator (1) inside the rocker (may require flashlight for visibility).
12. Use a chisel or knife to clean any burrs in the area indicated by the arrows.

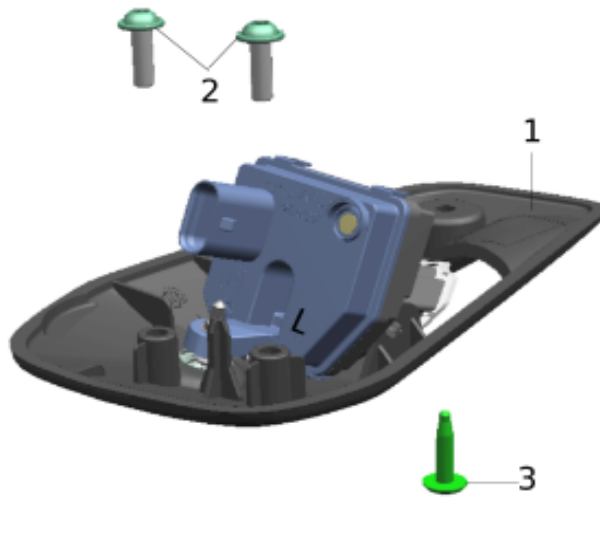


13. Install the lamp bracket (1) to the rocker molding as shown.
 - Check and verify brackets have two U-nuts (2) fully installed and in the correct direction.
 - Ensure locating feature (3) is engaged with corresponding hole in brackets.
 - Brackets should be sitting flush on the rocker inner bracket and below the body frame W-Clips (4).



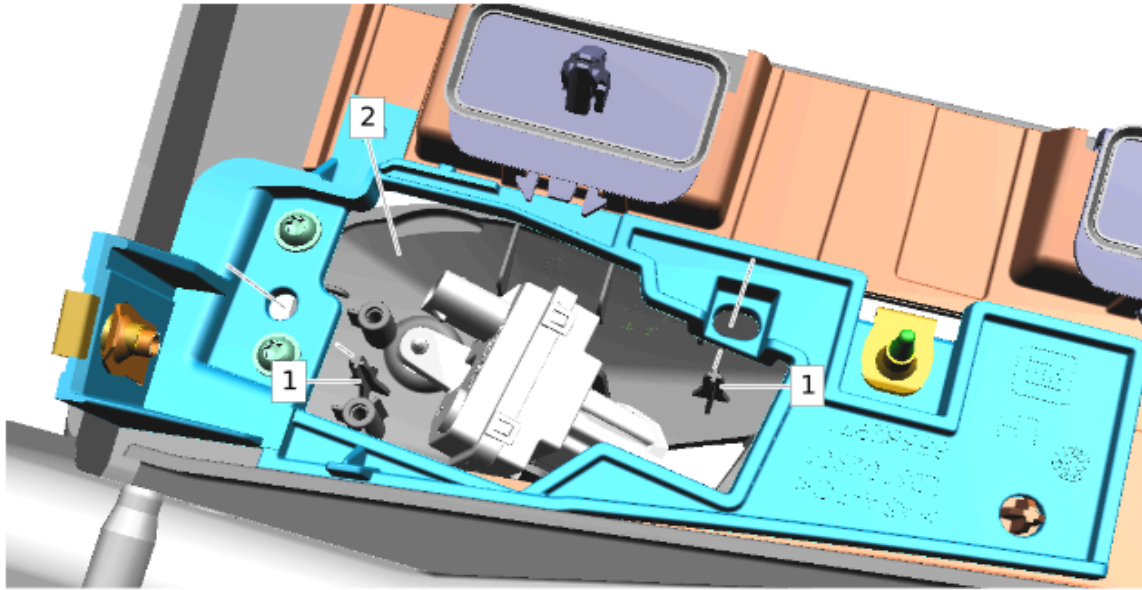
Caution: Always check size and position of all holes before drilling. Failing to do so may cause damage to the vehicle, misalignment of components or the inability to install the accessory.

14. After ensuring bracket is sitting flush and engaged with the locator pin, drill a 5.0mm hole through the lamp bracket and rocker using the indentation (1) in the bracket as a guide.
15. Install the supplied rivet (2) from underneath the rockers as shown.

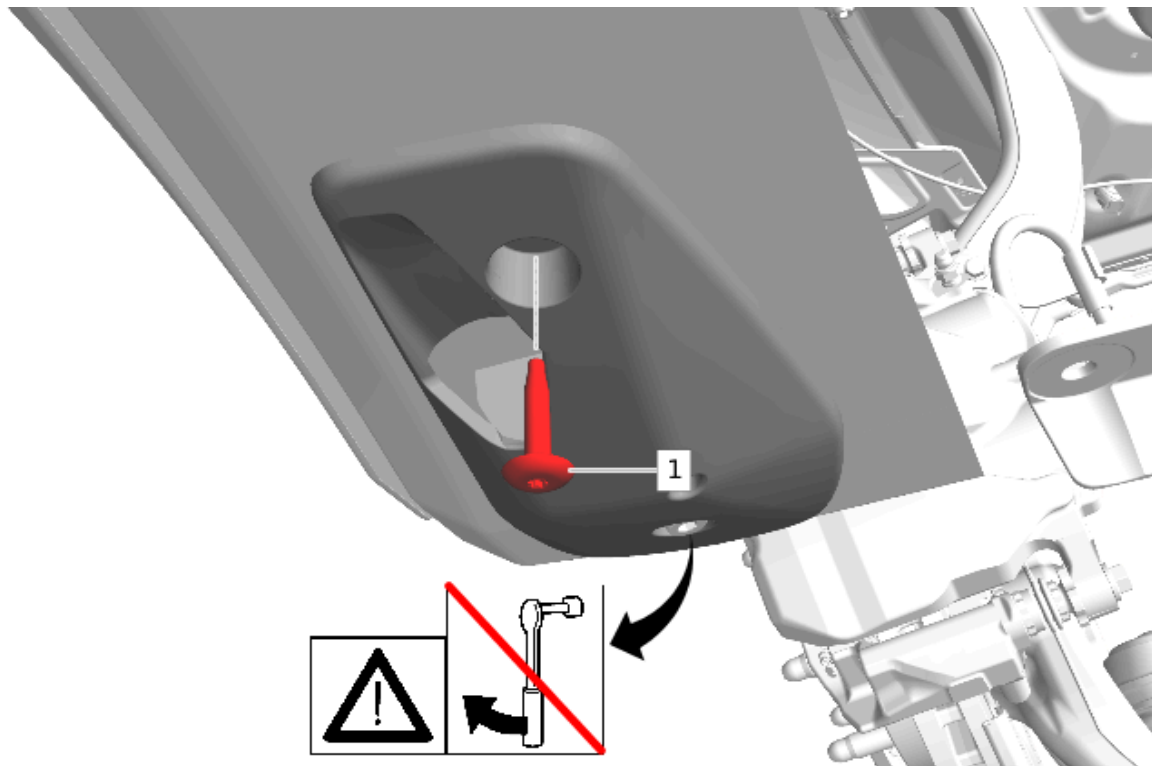


Note: Assembly marked "LH" (Drivers Side) or "RH" (Passenger Side).

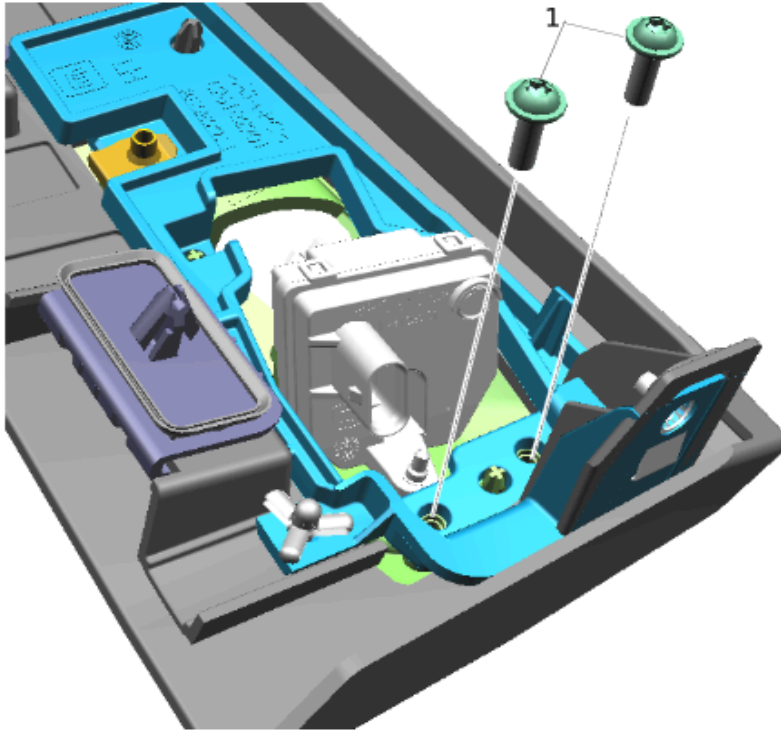
16. Identify the lamp assembly (1) for each side by checking markings on the lamp body.
17. Locate the 2 screws (2) and one screw (3) per side of vehicle.



18. Observe the two cross line-up features (1) on the lamp assembly (2). Lift the lamp assembly up into the rocker opening inserting the cross line-up features into the corresponding holes in the adapter bracket.



- Note:** Do not torque lamp adjustment screw. This screw is used to adjust image in final step.
19. While holding the lamp assembly in place, install the round dome head screw (1). **Hand tighten at this time.**



© 2024 General Motors. All rights reserved.

Caution: Use the correct fastener in the correct location. Replacement fasteners must be the correct part number for that application. Fasteners requiring replacement or fasteners requiring the use of thread locking compound or sealant are identified in the service procedure. Do not use paints, lubricants, or corrosion inhibitors on fasteners or fastener joint surfaces unless specified. These coatings affect fastener torque and joint clamping force and may damage the fastener. Use the correct tightening sequence and specifications when installing fasteners in order to avoid damage to parts and systems.

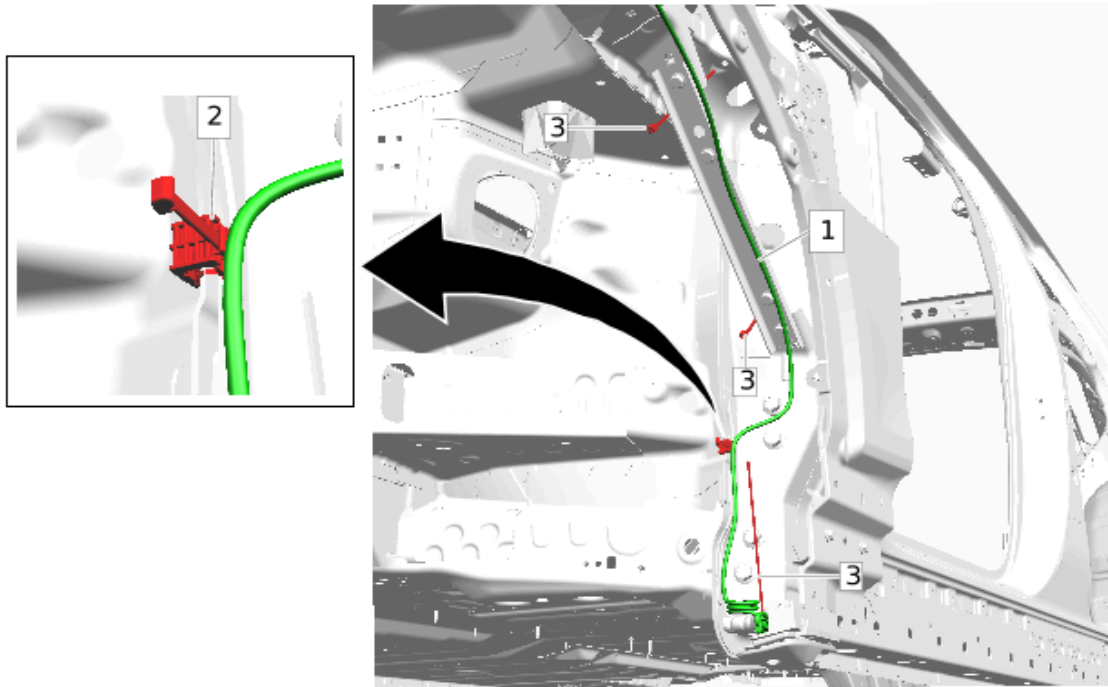
20. While holding lamp assembly and pushing upward, insert and install the two self tapping bolts (1).
Tighten the bolts to **2.5 N•m (22 lb in)**.
21. Tighten the previously installed round dome head screw to **2.5 N•m (22 lb in)**.
22. Complete right side lamp installation.

Electrical Wiring Harness Installation Procedure

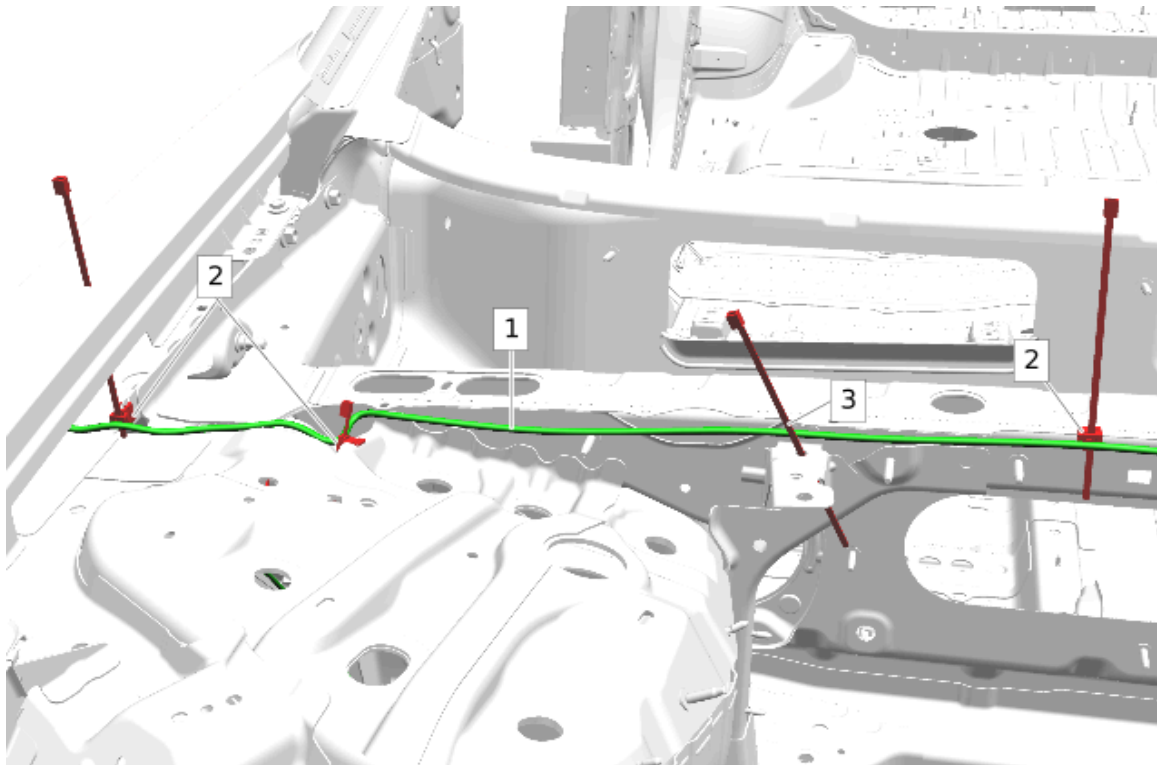
1. Remove the Front Compartment Side Sight Shield. Refer to [Front Compartment Side Sight Shield Replacement](#).

Note: Left side shown, right side similar.

Note: There are two different size edge clips included in the kit.

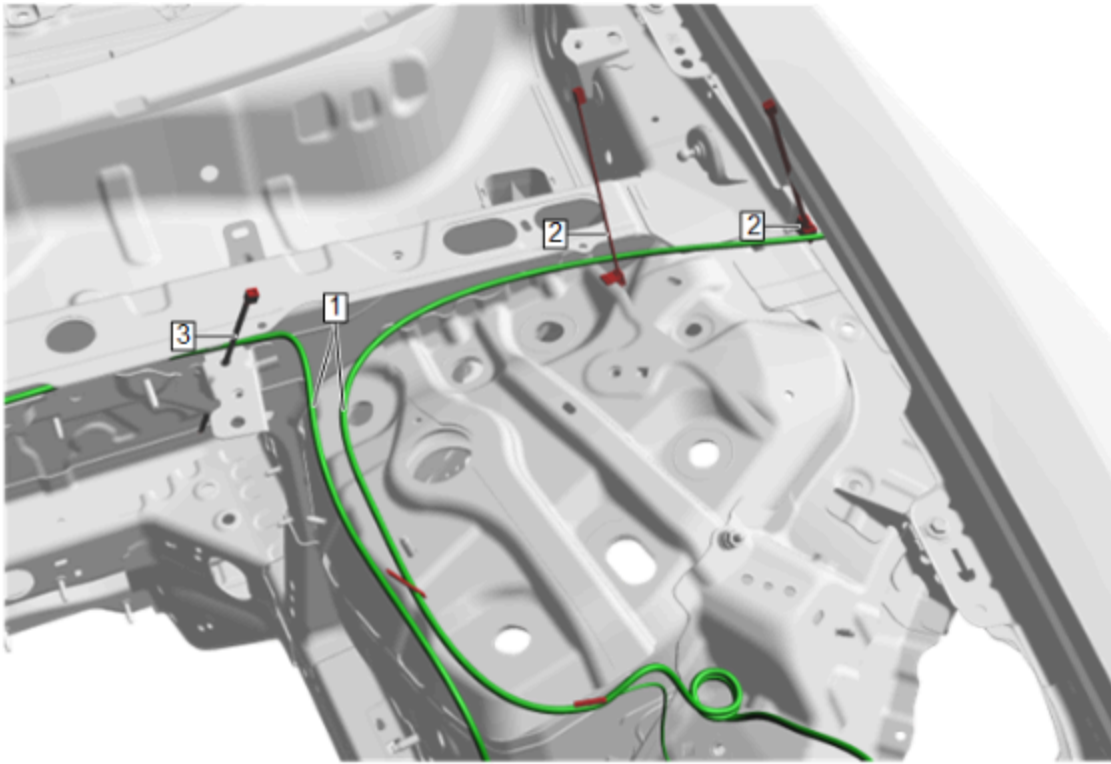


2. Route the rocker lamp wiring harness (1) up through the wheel well into the front compartment as shown. Notch sealant in wheel well area as needed to install edge clips.
3. Install a large size edge clip (2) in the location shown.
4. Use the included tie straps (3) to secure the wiring harness as shown.



5. Route the right side rocker lamp wiring harness (1) across the front edge of the plenum panel as shown.
6. Install two small size edge clip (2) in the location shown on the plenum panel.

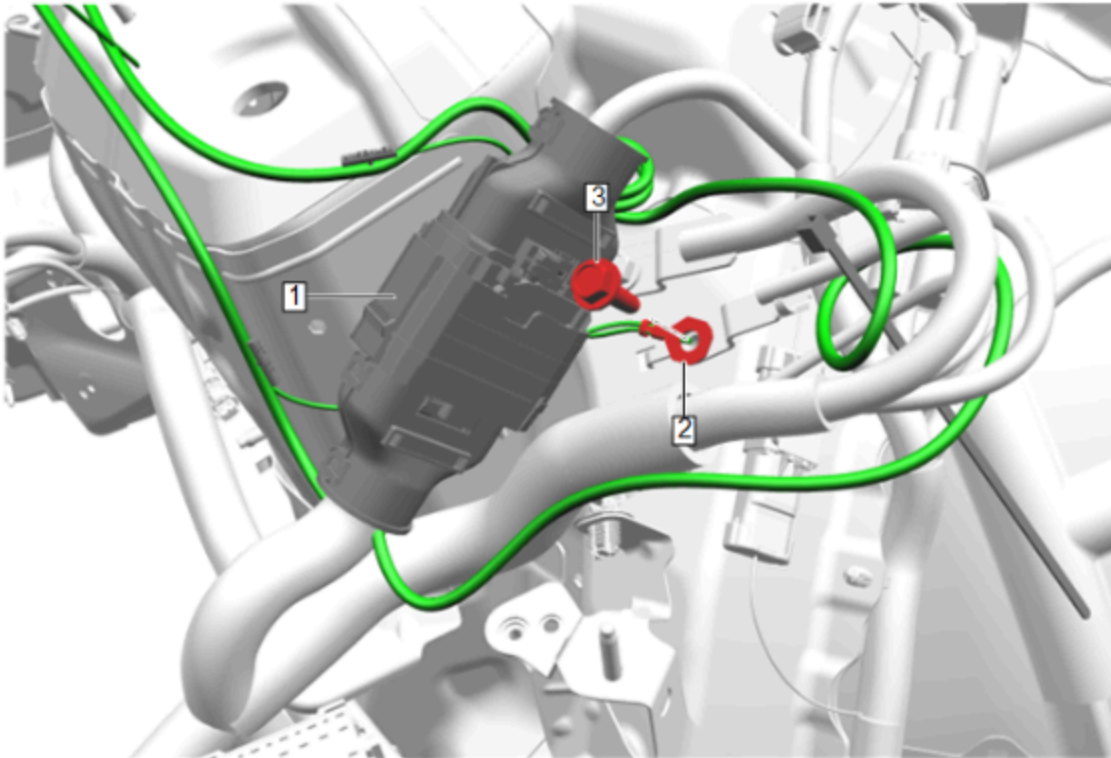
7. Use the included tie straps (3) to secure the wiring harness as shown.



8. Finish the right and left side rocker lamp wiring harness (1) routing as shown.

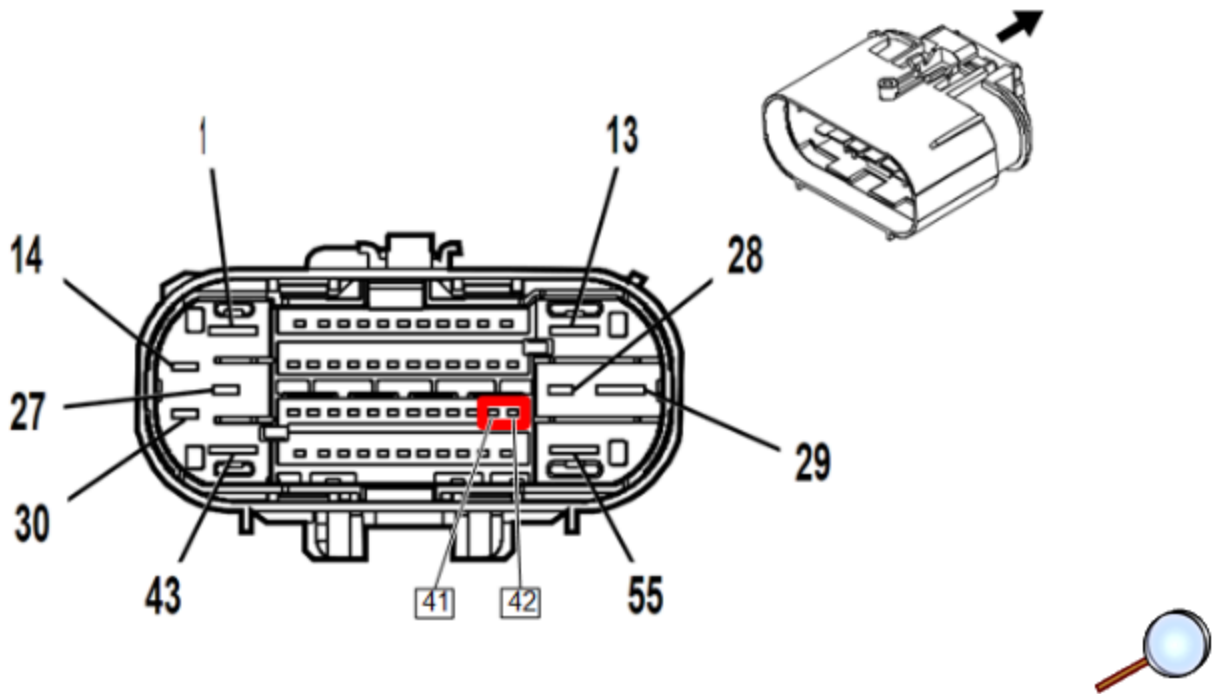
9. Install two small size edge clip (2) in the location shown.

10. Use the included tie straps (3) to secure the wiring harness as shown.



11. Locate and disconnect the (X140F) in-line wiring harness connector (1) between the body wiring and the engine wiring connector. Refer to [Inline Harness Connector End Views](#) in Vehicle Service Manual for connector disconnection video.

12. Remove the dress cover from the back of the engine wiring harness electrical connector.
13. Remove the bolt (3) and attach the ground ring terminal (2) to the body. Reinstall bolt and tighten to **9 N•m (80 lb in)**.
14. Using the provided splice clips to connect the ground wires for the left and right rocker lamps.



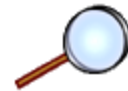
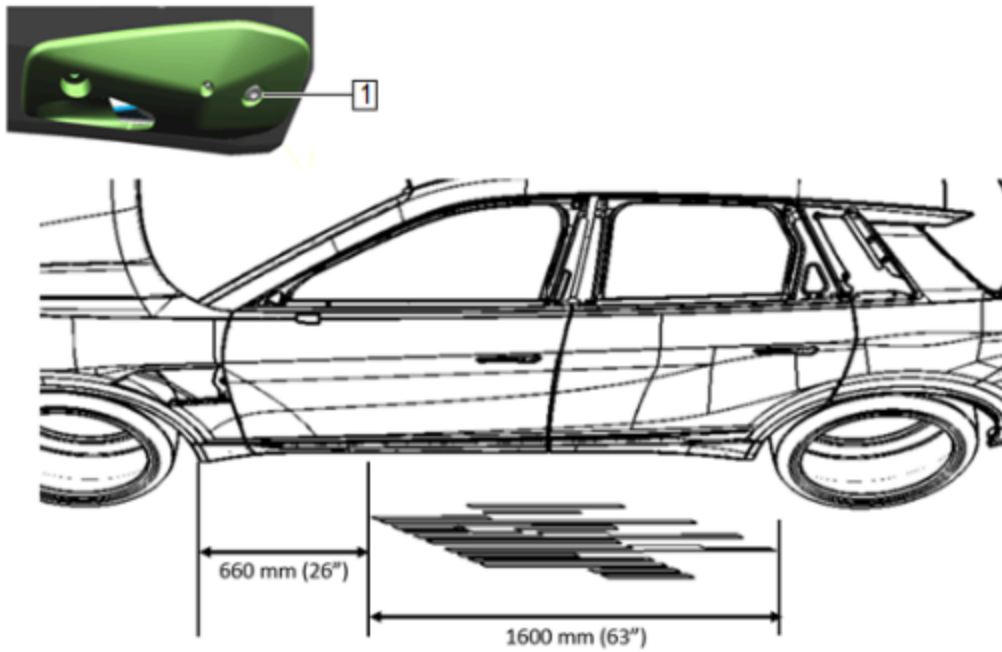
© 2024 General Motors. All rights reserved.

15. Remove connector TPA from engine harness connector X140F, remove the terminal stabilizer, disengage connector lock and remove cavity plugs from cavity 41 and 42 on the engine harness connector. Refer to [Inline Harness Connector End Views](#) in Vehicle Service Manual for connector disconnection and disassembly video.
16. Insert terminal from driver side rocker lamp harness in to cavity 41 of engine harness connector X140F, make sure terminal is inserted fully.

Note: It should require little effort to fully insert and lock the terminal into the cavity, if excessive effort is required, verify the TPA is in the fully released position.
17. Insert terminal from passenger side rocker lamp harness in to cavity 42 of engine harness connector X140F, make sure terminal is inserted fully.

Note: It should require little effort to fully insert and lock the terminal into the cavity, if excessive effort is required, verify the TPA is in the fully released position.
18. Push the TPA to its locked position to secure the terminals, install the terminal stabilizer into the shroud by pushing it until it locks into position. An audible click will be heard or felt when it has fully seated.
19. Reassemble and connect the body wiring to engine wiring harness connector X140F.
20. Install the left and right front wheelhouse liners. Refer to [Front Wheelhouse Liner Replacement](#) in Vehicle Service Manual.
21. Connect the 12 volt negative battery cable. Refer to [Battery Negative Cable Disconnection and Connection](#) in Vehicle Service Manual.

Image Projection Verification and Adjustment



© 2024 General Motors. All rights reserved.

Lock and unlock doors by using the key fob to activate the rocker panel exterior illumination image. If the image dimensions on ground is not as shown, slightly turn the adjustment screw with an Alan Key #4 until dimensions are met for optimum image clarity. Do not apply excessive force.